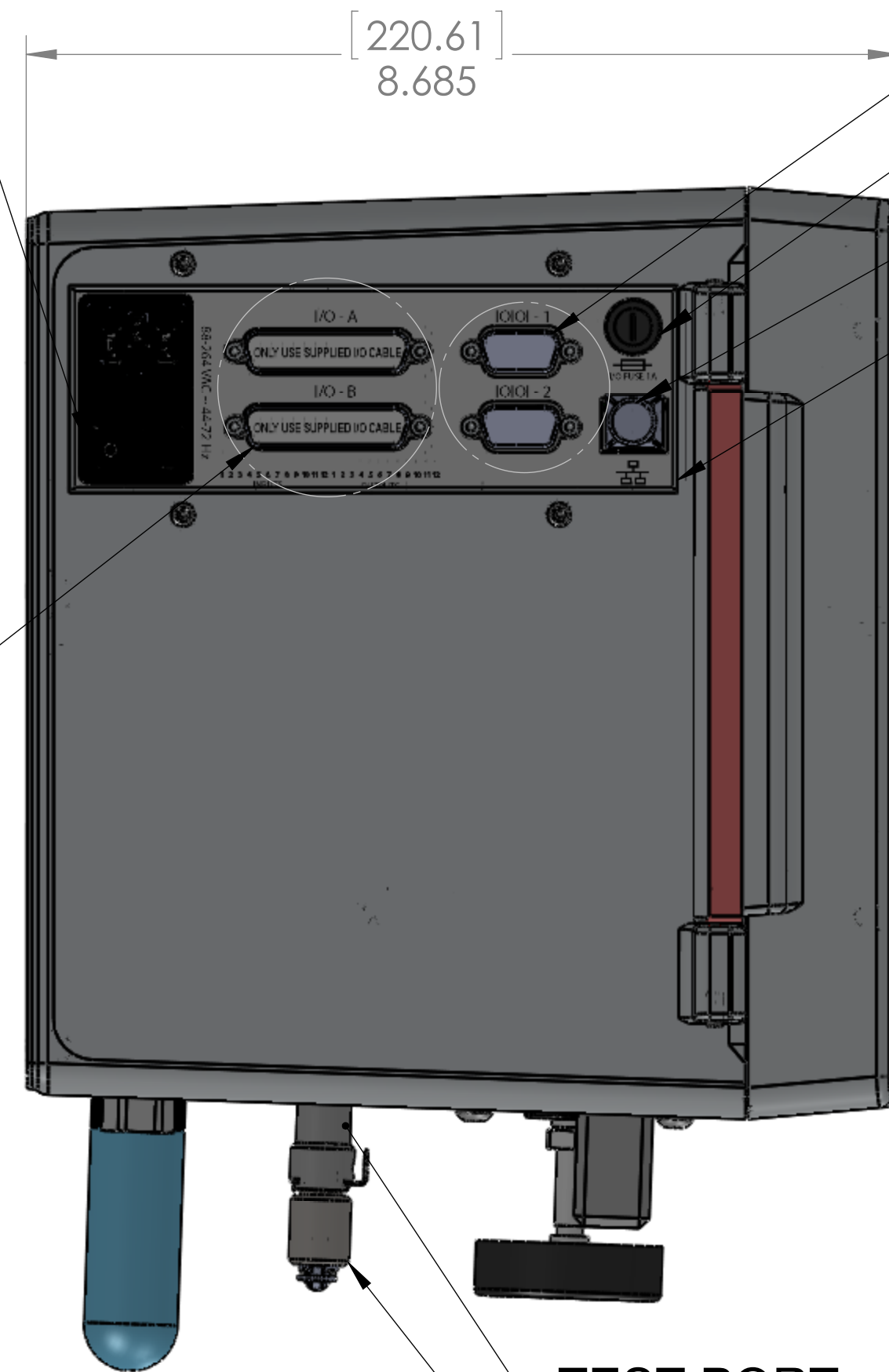


I28 INSTALLATION AND MOUNTING DATA

POWER ENTRY 3 PRONG STANDARD WITH 120 VAC, 3 CONDUCTOR CABLE FOR ALL OTHERS

I/O CONNECTOR



[220.61]
8.685

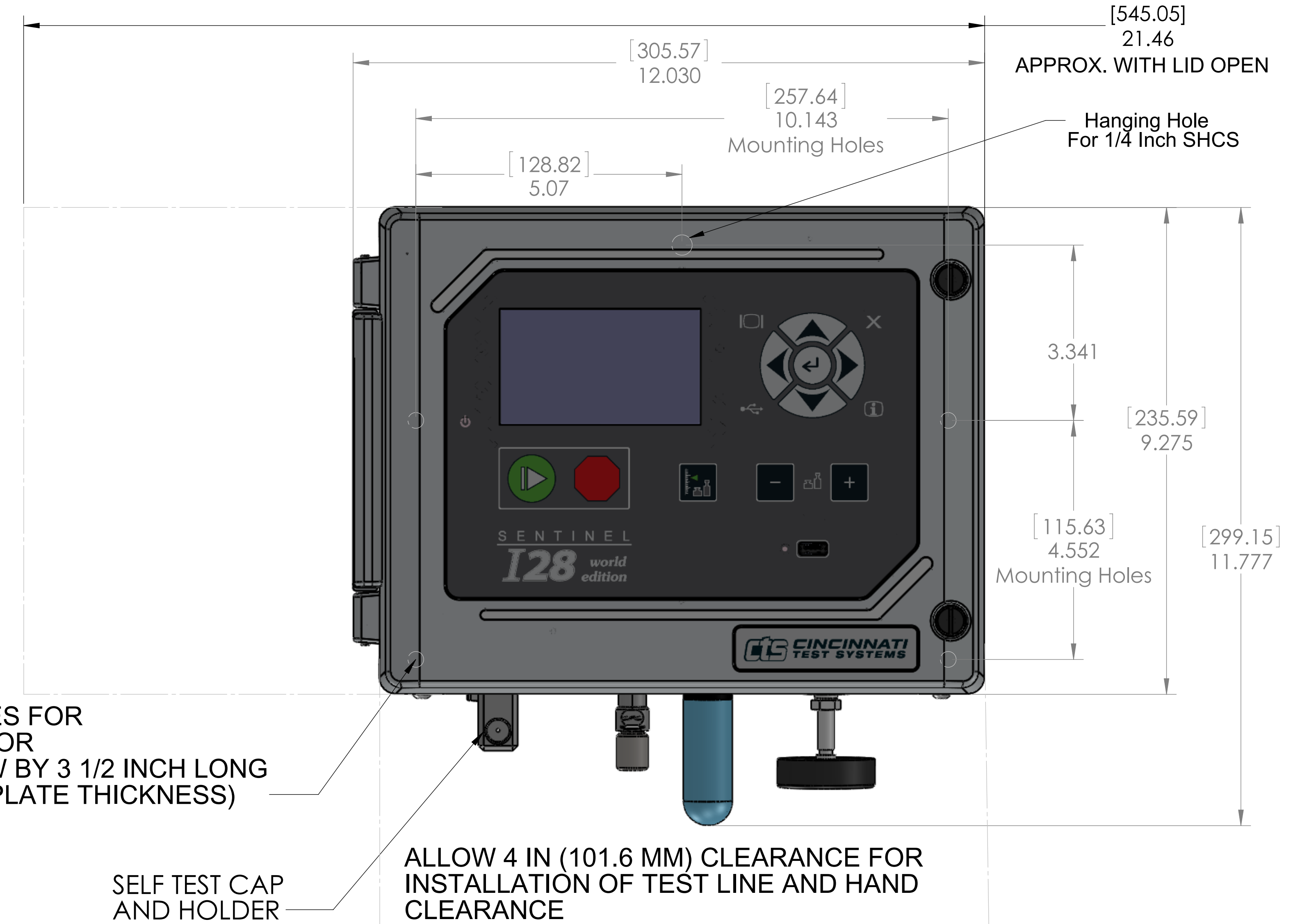
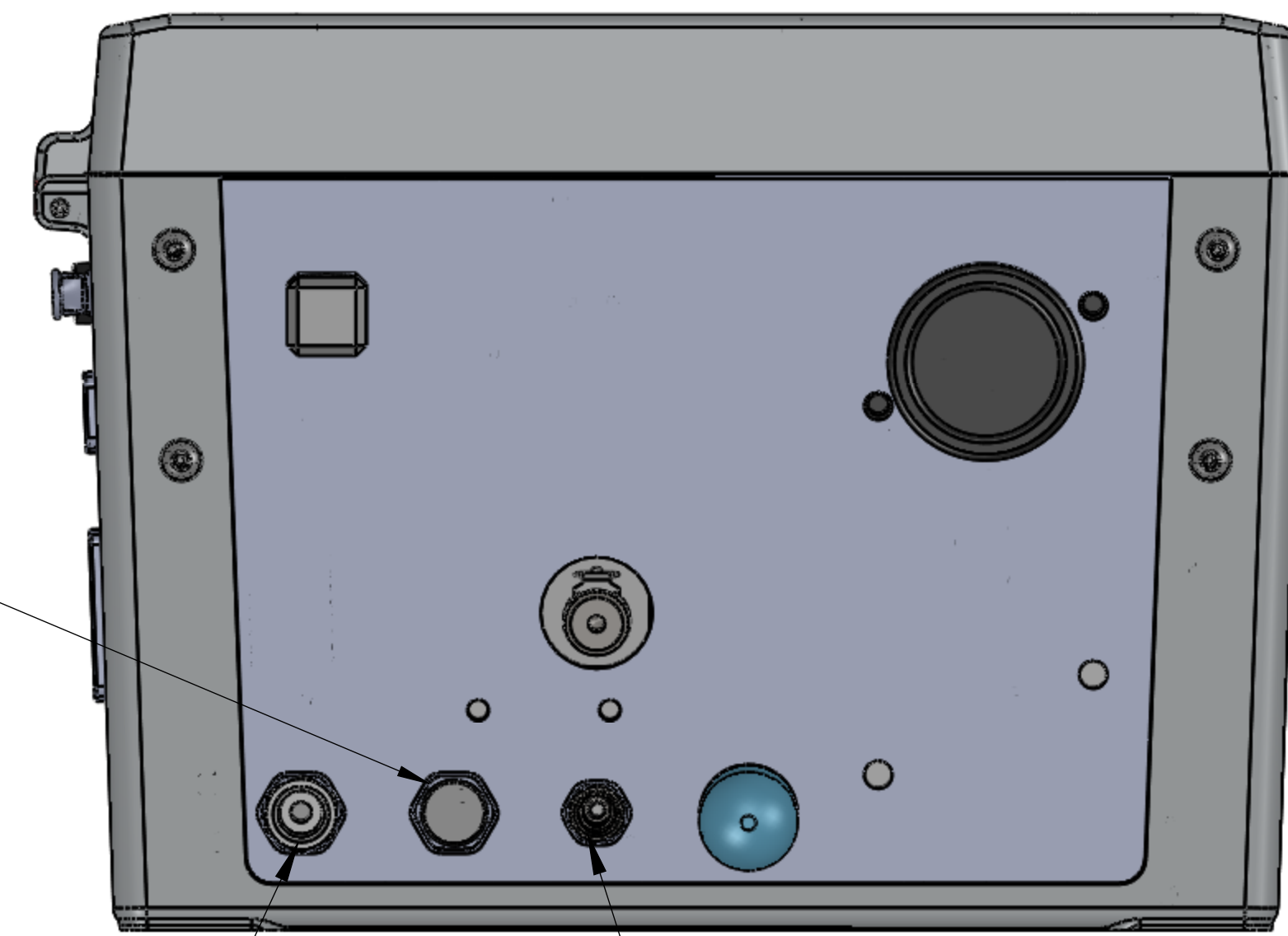
- RS232 SERIAL PORT
- I/O FUSE HOLDER-1A
- ETHERNET
- ELECTRONIC MODULE, AC-I28)

TEST PORT
SELF TEST CAP

1/4 NPT PORT FOR SUPPLY VACUUM
"PLUG IT WHEN USING A SINGLE SOURCE"

1/4 NPT PORT FOR SUPPLY AIR

1/8 NPT PORT FOR PILOT AIR



DESCRIPTION: Bose Assembly		UNLESS OTHERWISE SPECIFIED BREAK ALL SHARP CORNERS TOLERANCES: 1 PLACE DECIMAL : .050" [1.27mm] 2 PLACE DECIMAL : .010" [0.25mm] 3 PLACE DECIMAL : .003" [0.08mm] ANGULAR DIMS : 0°-30° 125 ✓ INDICATES 500 MAXIMUM FINISH REQ'D ON SURFACES WITHOUT A SYMBOL DRILLED AND COUNTERBORED HOLE DIAMETERS: -.005" / +.015" [-0.13mm / +0.4mm]			CINCINNATI TEST SYSTEMS 5555 DRY FORK RD., CLEVELAND, OH 45002	
MATERIAL:			CUSTOMER: CTS R&D		TITLE: Assy,CTS,A12-547	
FINISH:			DRAWN BY: YA		DATE: 10/28/2011	
QUANTITY:	HEAT TREAT:		CHECKED BY:		DWG NO.:	A12-547
FILE LOCATION:		SCALE:		1:4		
		SHEET:		1 OF 3		